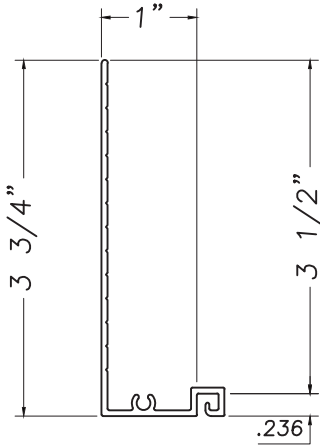
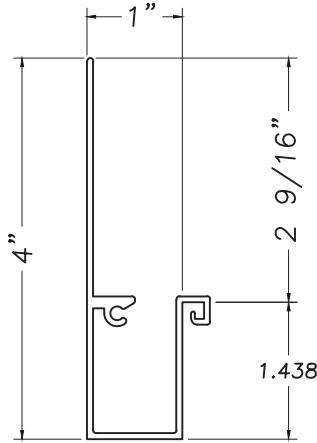




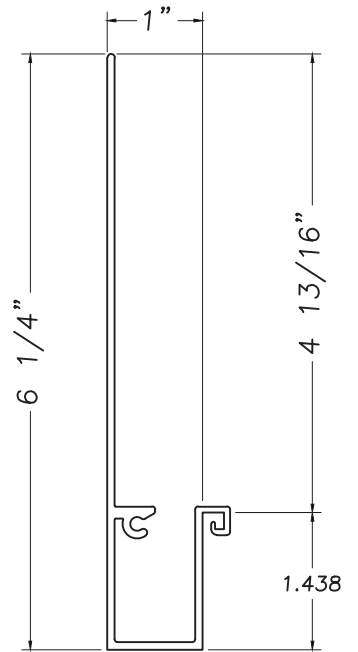
**Rosenthal Hall Panning**  
M3040



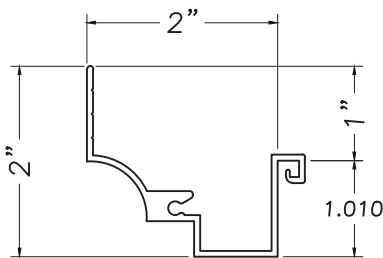
**Panning**  
M17165



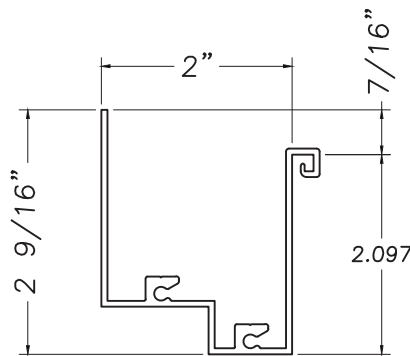
**Historic Panning**  
M19809



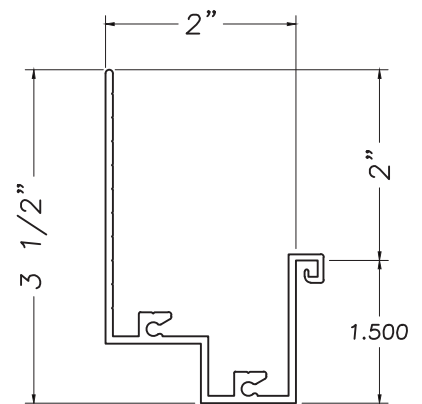
**Panning**  
M16175



**Colt Panning**  
MAX19893



**Exterior Panning**  
M20861

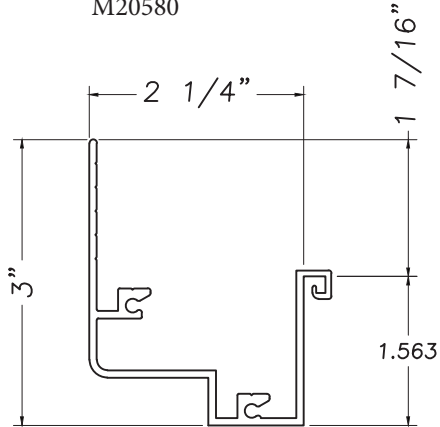


Our products are tested to the standards of and certified by the American Architectural Manufacturer's Association, the National Fenestration Rating Council and the Window & Door Manufacturers Association.

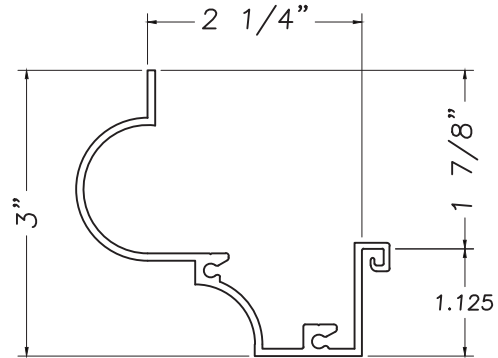




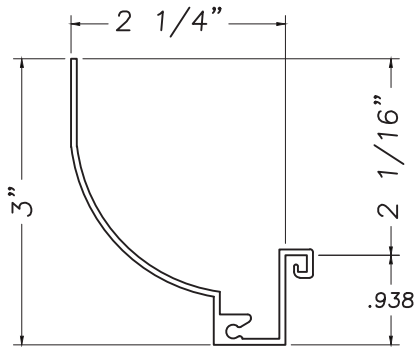
**Exterior Panning**  
M20580



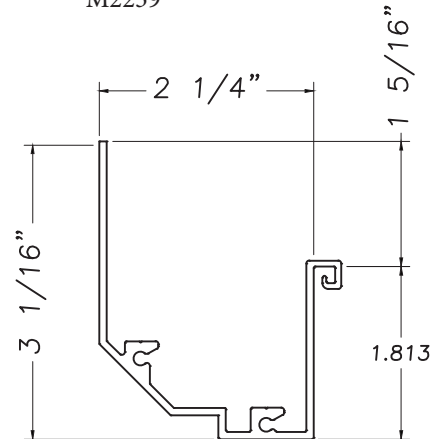
**Panning**  
M20923



**Historic Panning**  
M16249

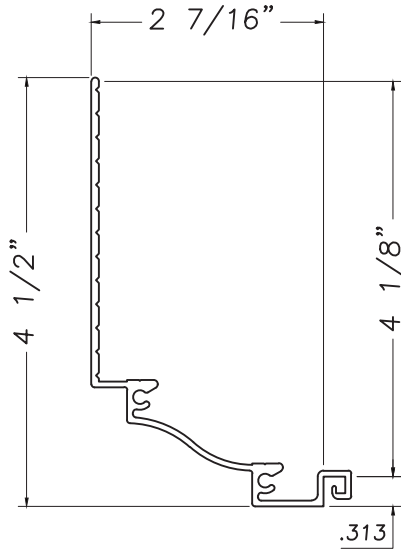


**Panning**  
M2239

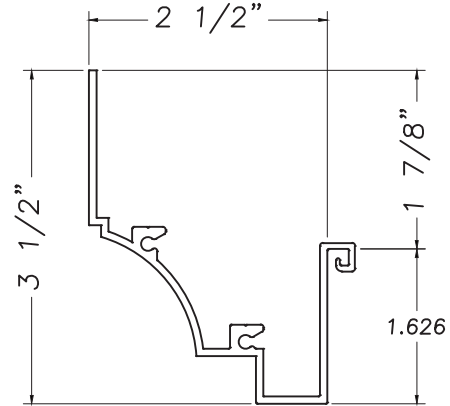




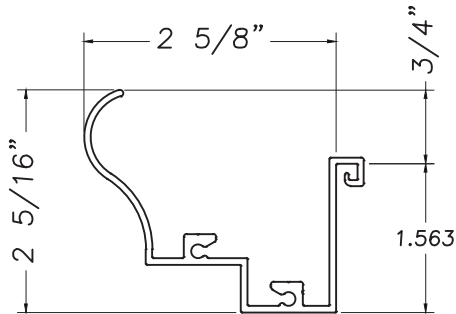
**Panning**  
MAX18291



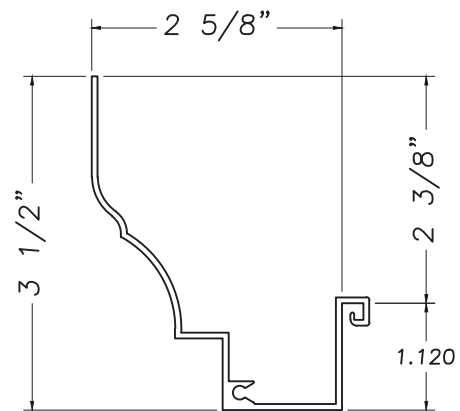
**Panning**  
M2240



**Windemere Panning**  
M19887



**Historic Panning**  
M16353

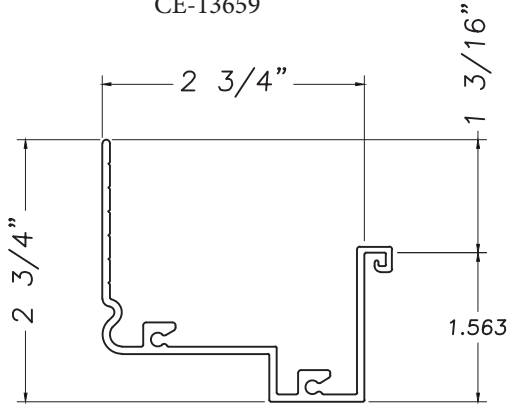


Our products are tested to the standards of and certified by the American Architectural Manufacturer's Association, the National Fenestration Rating Council and the Window & Door Manufacturers Association.

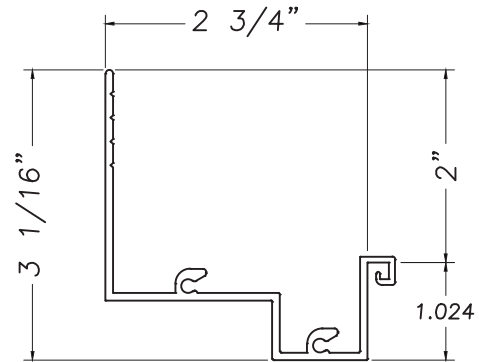




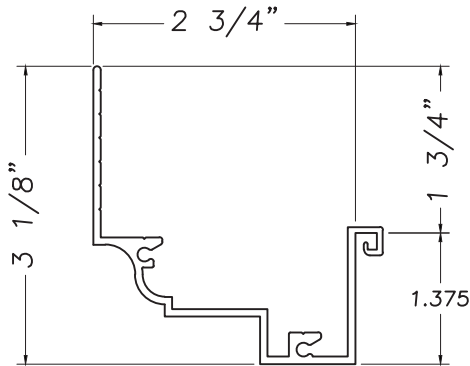
**Crown Panning**  
CE-13659



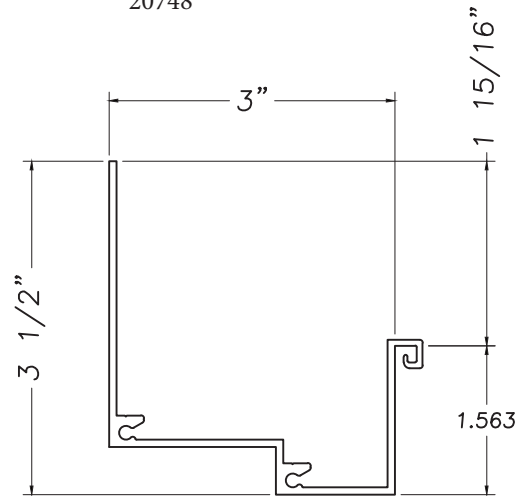
**Broadview Panning**  
M2109



**Lennex Panning**  
M20590

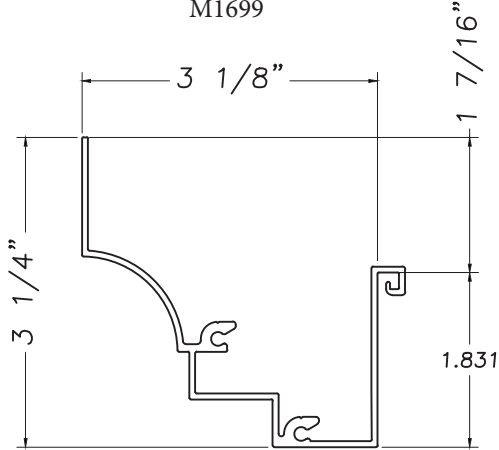


**Panning**  
20748

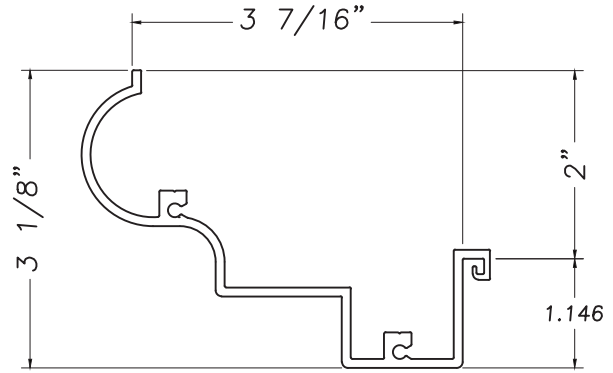




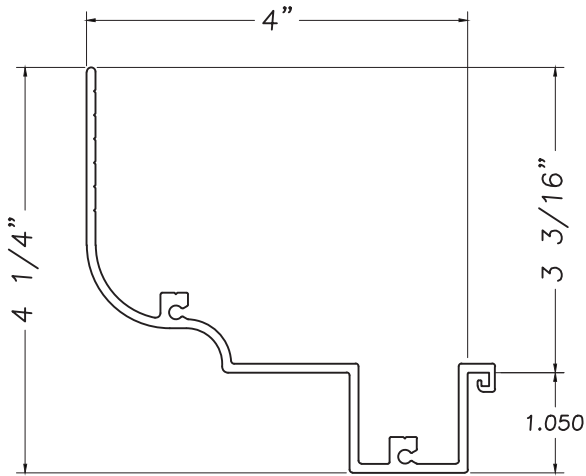
**Panning**  
M1699



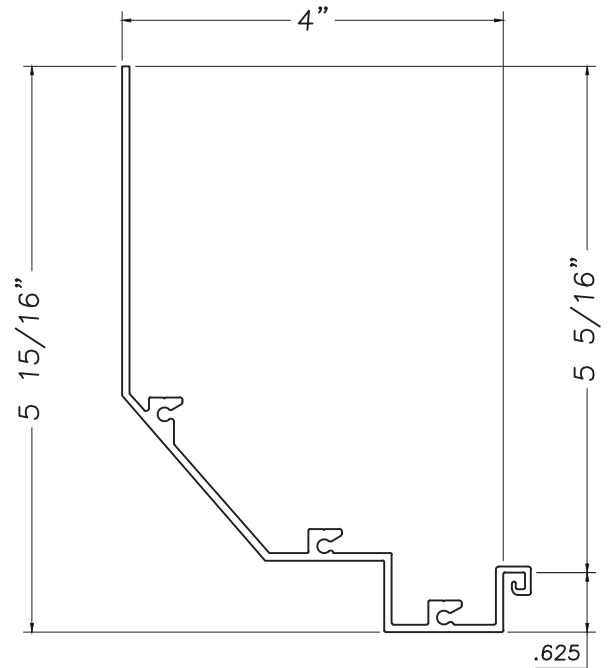
**Panning**  
M13939



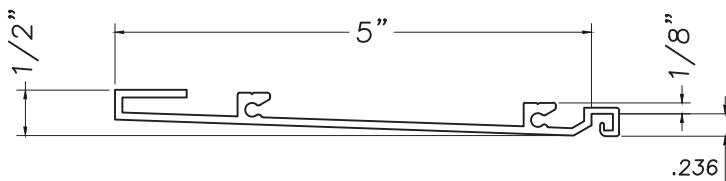
**4" Panning**  
M14271



**Panning**  
M18518



**Panning**  
M21553

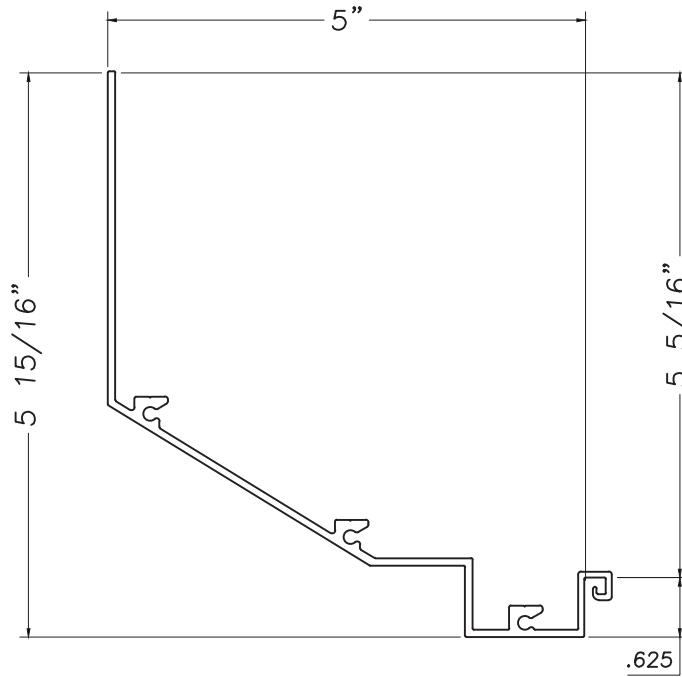


Our products are tested to the standards of and certified by the American Architectural Manufacturer's Association, the National Fenestration Rating Council and the Window & Door Manufacturers Association.

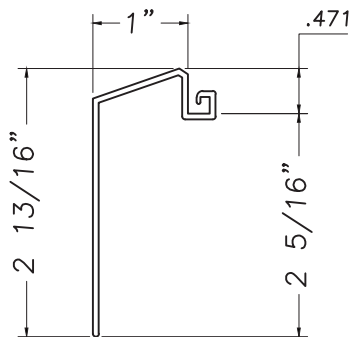




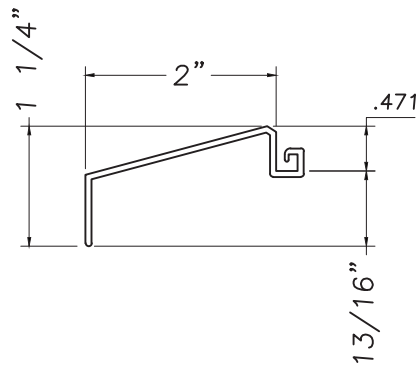
**Panning**  
M18400



**Offset Panning Sill**  
M19810



**Colt Panning Sill**  
M19894



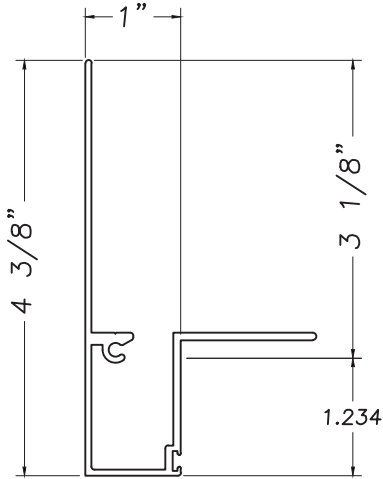
Our products are tested to the standards of and certified by the American Architectural Manufacturer's Association, the National Fenestration Rating Council and the Window & Door Manufacturers Association.



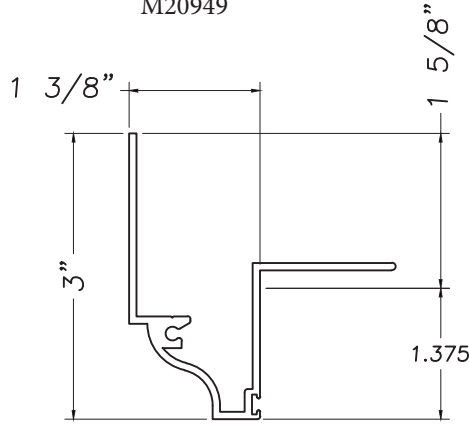
**QUAKER**  
COMMERCIAL WINDOWS AND DOORS



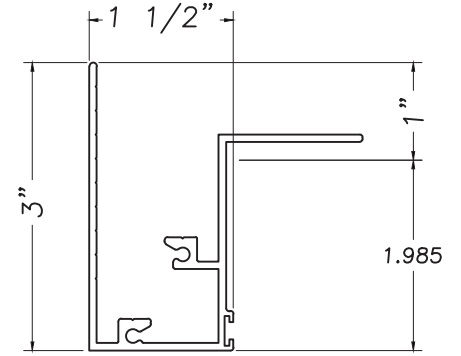
**Wiley Panning**  
M20505



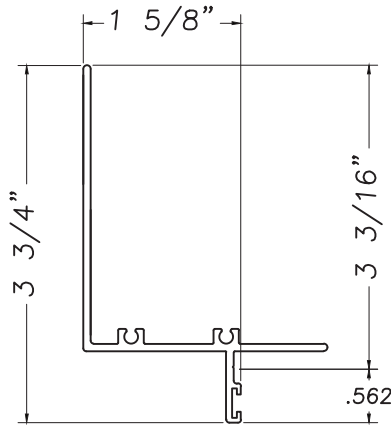
**Exterior Panning**  
M20949



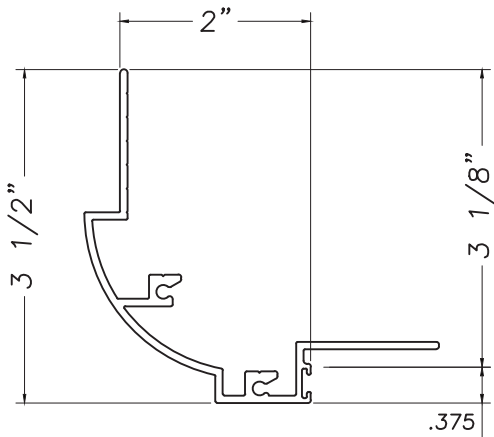
**Exterior Panning**  
M21662



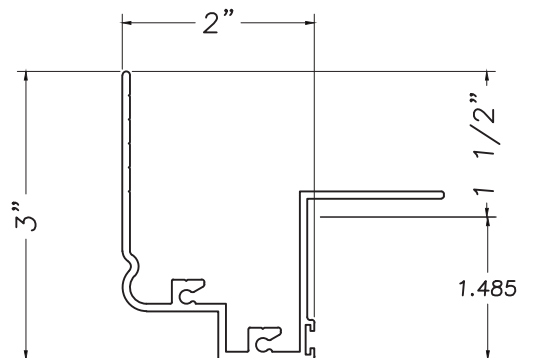
**Panning**  
M14957



**Fixed Panning**  
M3033



**Historical Panning**  
M21663

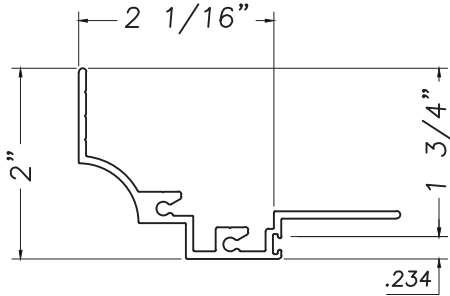


Our products are tested to the standards of and certified by the American Architectural Manufacturer's Association, the National Fenestration Rating Council and the Window & Door Manufacturers Association.

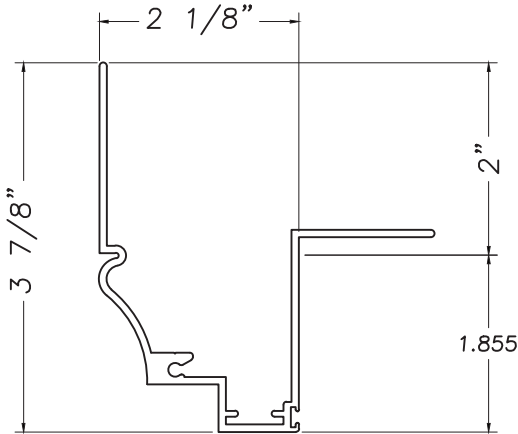




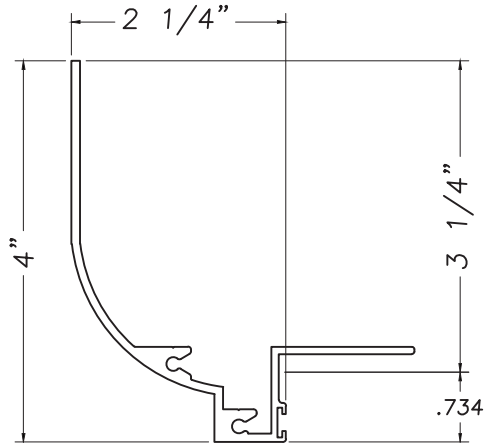
**Distrikt Bldg Panning**  
M3046



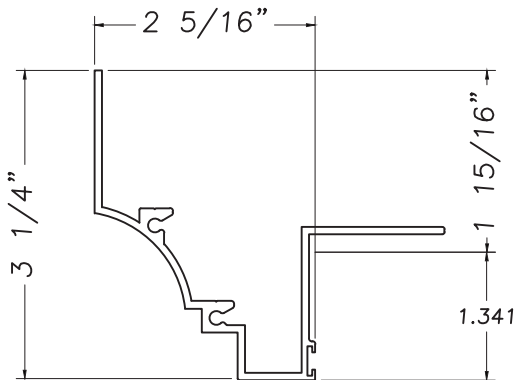
**Historical Panning**  
M2098



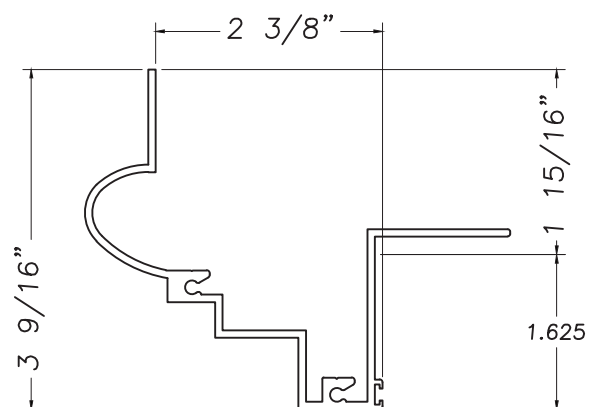
**Shoreland Panning**  
M19663



**Goldblat Panning**  
M20627



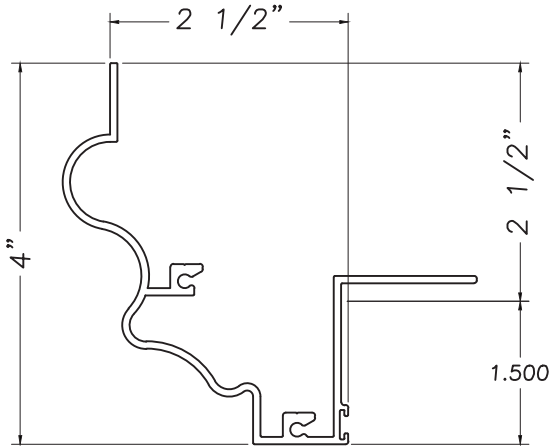
**Auburn Panning**  
M21345



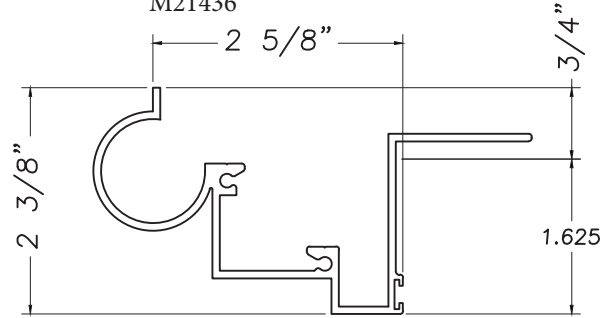




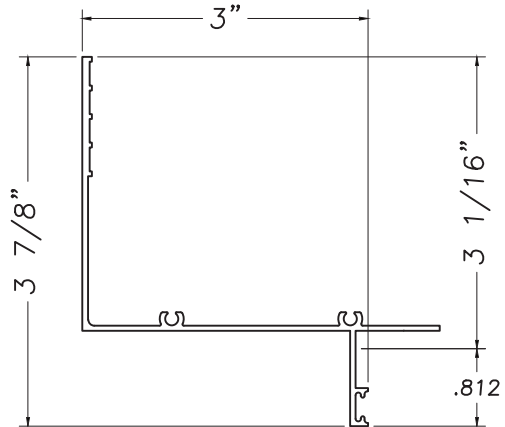
**St. Mary's School Panning**  
M3100



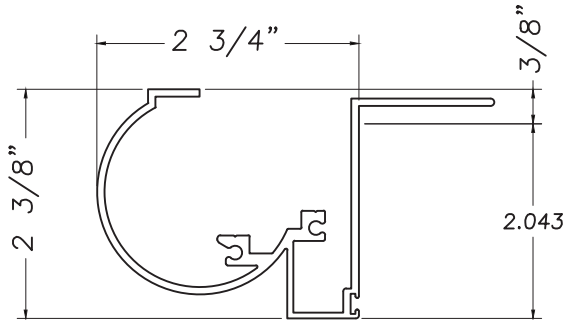
**Vinton Panning**  
M21436



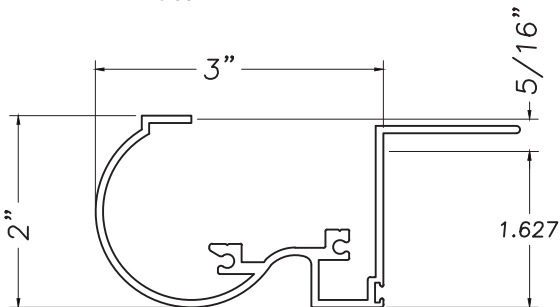
**3" Head & Jamb Panning**  
M6938



**Crossroads Panning**  
M21366



**Panning**  
M21705

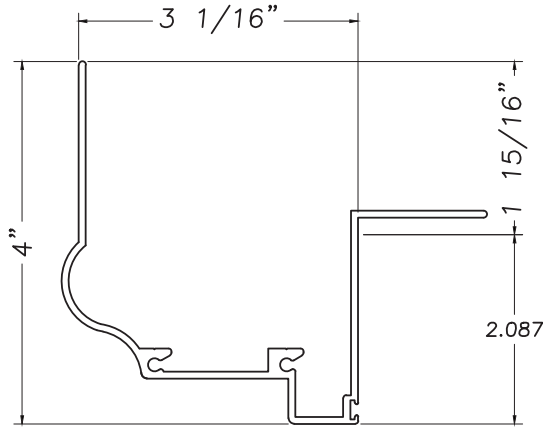


Our products are tested to the standards of and certified by the American Architectural Manufacturer's Association, the National Fenestration Rating Council and the Window & Door Manufacturers Association.

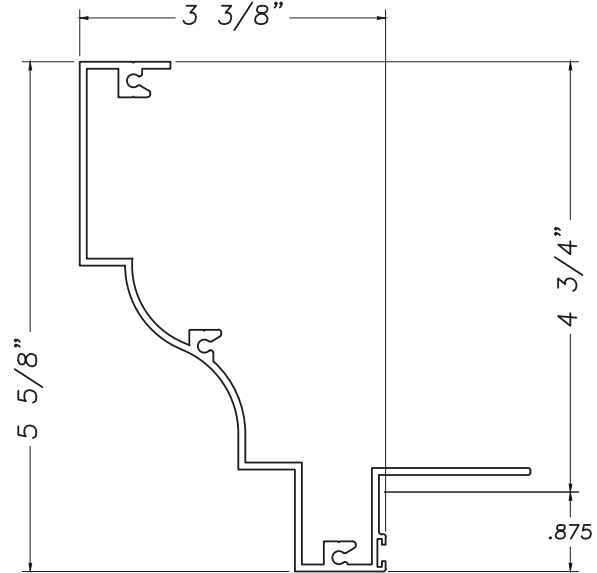




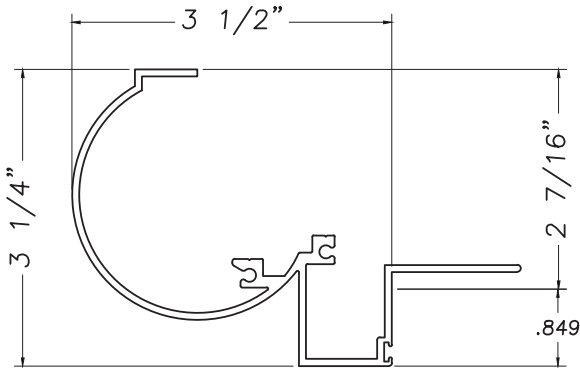
**Historical Panning**  
M2097



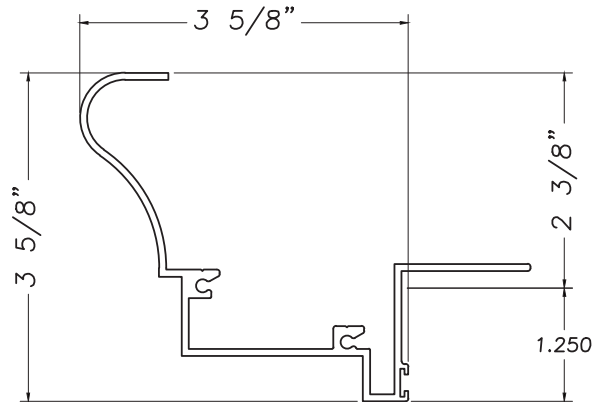
**Flanged Panning**  
M20440



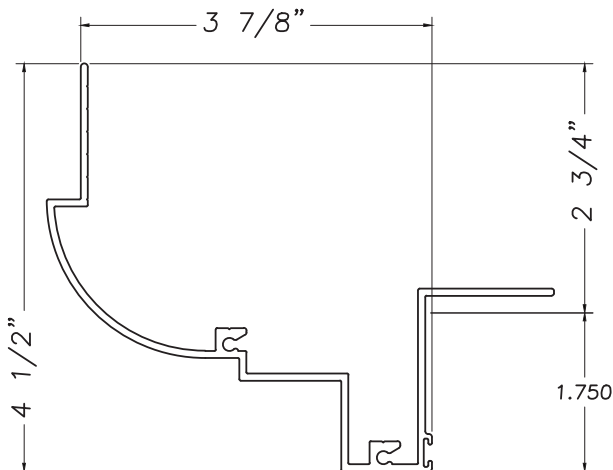
**Spring St. Panning**  
M21661



**Drayton Mill Panning**  
M20844



**Hung Panning**  
M3034



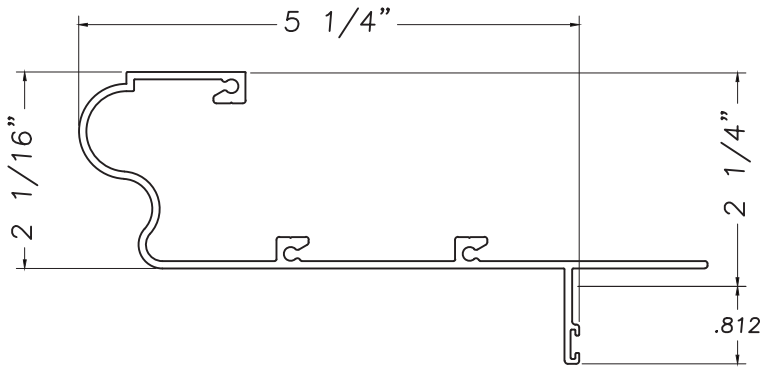
Our products are tested to the standards of and certified by the American Architectural Manufacturer's Association, the National Fenestration Rating Council and the Window & Door Manufacturers Association.



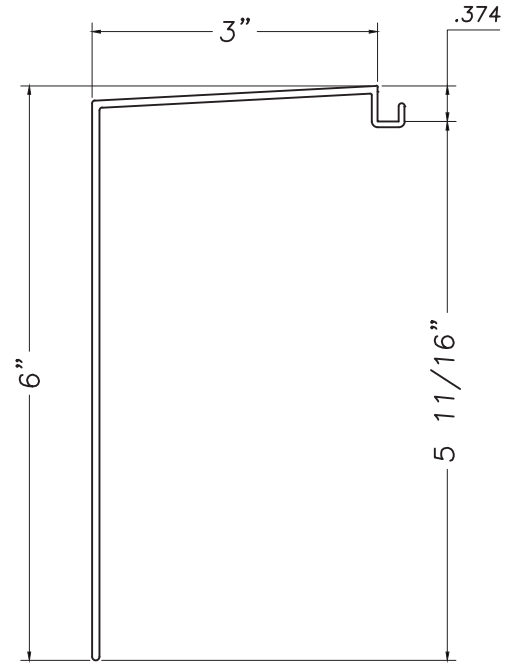
**QUAKER**  
COMMERCIAL WINDOWS AND DOORS



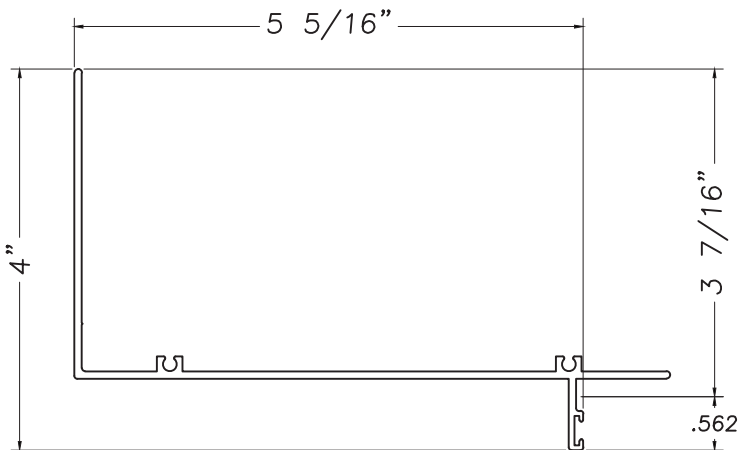
**Broadway Lofts Panning**  
M3061



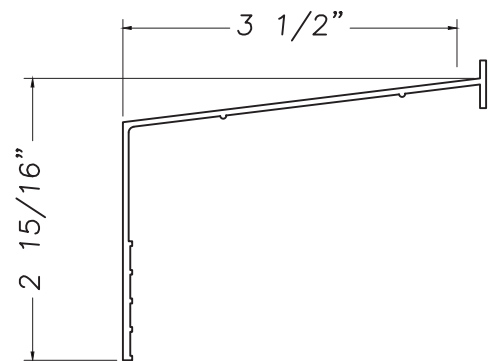
**3" Sill Panning**  
M45725



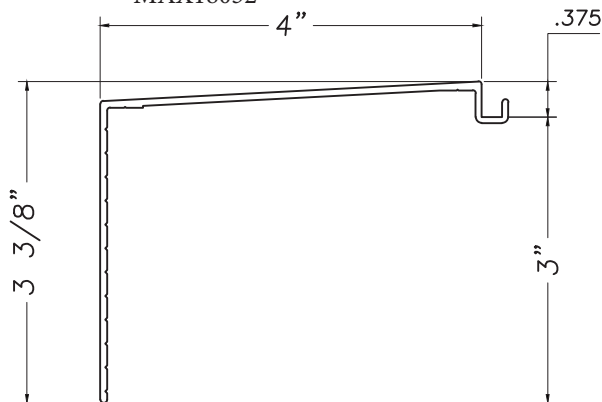
**6" Head Panning**  
MAX9523-18'



**3" Sill Panning**  
M6939



**4" Sill Panning**  
MAX18052

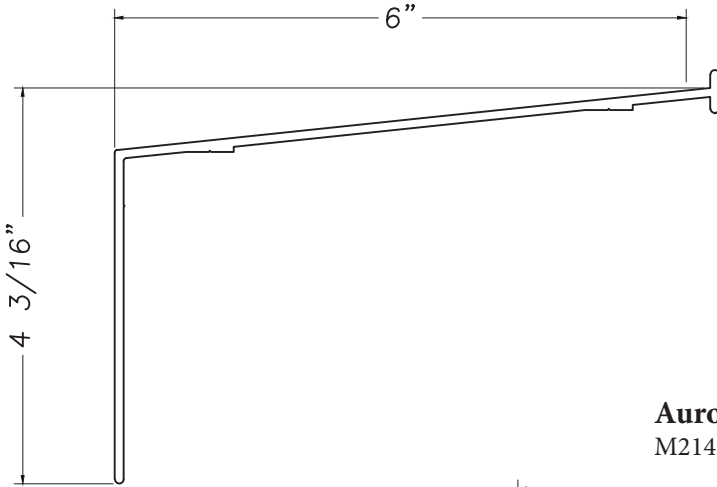


Our products are tested to the standards of and certified by the American Architectural Manufacturer's Association, the National Fenestration Rating Council and the Window & Door Manufacturers Association.

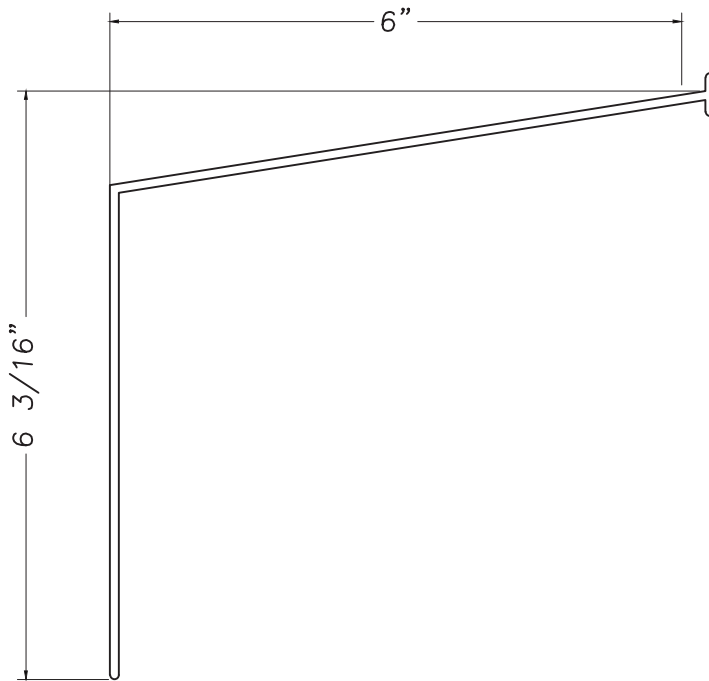




**6" Sill Panning**  
MAX9522



**Aurora Sill Panning**  
M21471



Our products are tested to the standards of and certified by the American Architectural Manufacturer's Association, the National Fenestration Rating Council and the Window & Door Manufacturers Association.

