



AdvantEDGE
Advanced Window Solutions by Quaker

**AdvantEdge Series
R-35/R-40
3 1/4" Frame Depth
Picture Window (Fixed)**

ADVANTEDGE SERIES PICTURE WINDOW (FIXED)

The Quaker AdvantEdge Series Picture window is ideal for a variety of replacement applications including - Energy Efficient, Apartments, Assisted Living and Housing Authority.

FEATURES

- ◇ **Commercial Framing System**
 - 3 1/4" main frame
 - 0.060" wall thickness of frame, 0.070" wall thickness of sash
- ◇ **Enhanced Design**
 - Mitered and welded corners
 - Foam wrap on main frame
- ◇ **Glazing**
 - 3/4" insulated glass

OPTIONS

- ◇ **Available Configurations**
 - Picture window
 - Geometric shapes
- ◇ **Muntin Choices**
 - Internal or simulated divided lites available
- ◇ **Glazing**
 - Capillary tubes
 - Argon gas
 - Wide variety of glazing, tinting and thickness options
- ◇ **Panning & Trim Choices**
 - Wide variety of panning, receptor and trim available
- ◇ **Installation Accessories**
 - Head Expander
 - Sill Expander
- ◇ **Mulling**
 - Wide variety of structural mulls

BENEFITS

- ◇ The capacity to match exterior colors for unique project facades
- ◇ The ability to facilitate large sizes for taller and wider window openings

PERFORMANCE

- ◇ Structural & Thermal (test reports or thermal simulations available upon request)

Model	Picture Window (Fixed)	Casement Picture Window	Picture Window (Direct Set Narrow frame)
AAMA/WDMA/CSA 101/I.S.2/A440-08 Rating	R-35	R-40	
Structural Load P.S.F.	52.63	60.15	
Air at 50 MPH (cfm/ft ²)	0.01	0.01	
Water (No Penetration) P.S.F.	6.06	6.06	
U-Value (with Low-E and Argon)	0.22-0.27	0.22-0.26	0.23-0.28
SHGC (with Low-E and Argon)	0.15-0.34	0.14-0.32	0.15-0.36
Window Test Size	48" x 48"	48" x 48"	



Our products are tested to the standards of and certified by the American Architectural Manufacturer's Association, the National Fenestration Rating Council and the Window & Door Manufacturers Association.



QUAKER
COMMERCIAL WINDOWS AND DOORS

VINYL COLORS AND ARCHITECTURAL EXTERIOR PAINT COATINGS AND FINISHES

◇ Solid Vinyl Colors (interior & exterior)



White



Sandstone



Beige

◇ Optional Faux Wood Grain (interior only)



Dark Oak (available with white or painted exterior only)

◇ Optional Painted Colors (exterior only)



Holly Green



Redwood



Chestnut



Satin Creme



Dark Bronze



Toffee



Earthone



Black



White



Sandstone



Beige



Resembles
Clear Anodized

◇ Optional Unlimited Custom Painted Colors (exterior only)



* Printed colors shown here may not accurately depict actual vinyl or painted colors. Color samples are available upon request.

Our products are tested to the standards of and certified by the American Architectural Manufacturer's Association, the National Fenestration Rating Council and the Window & Door Manufacturers Association.



QUAKER
COMMERCIAL WINDOWS AND DOORS



QUAKER
COMMERCIAL WINDOWS AND DOORS

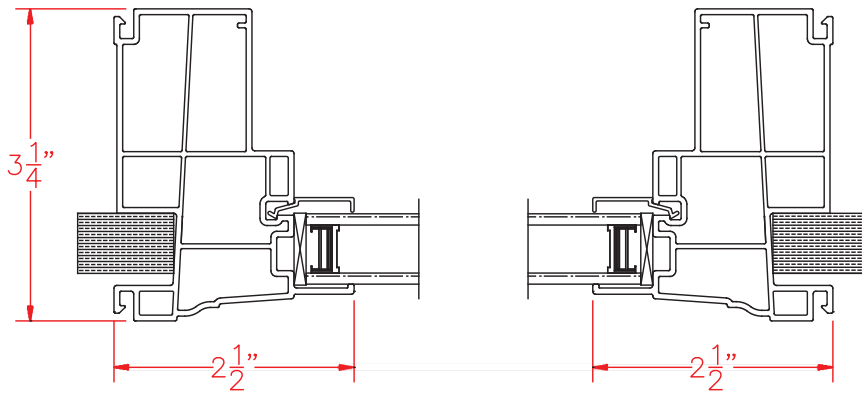


AdvantEDGE
Advanced Window Solutions by Quaker

AdvantEdge Series
R-35/R-40
3 1/4" Frame Depth
Picture Window (Fixed)

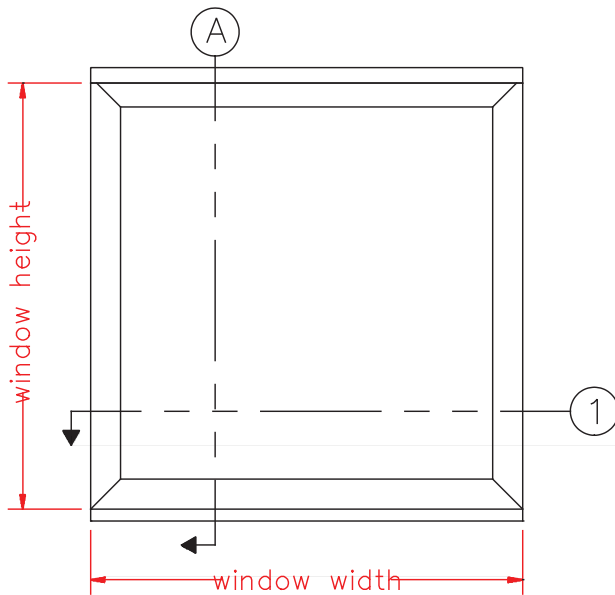
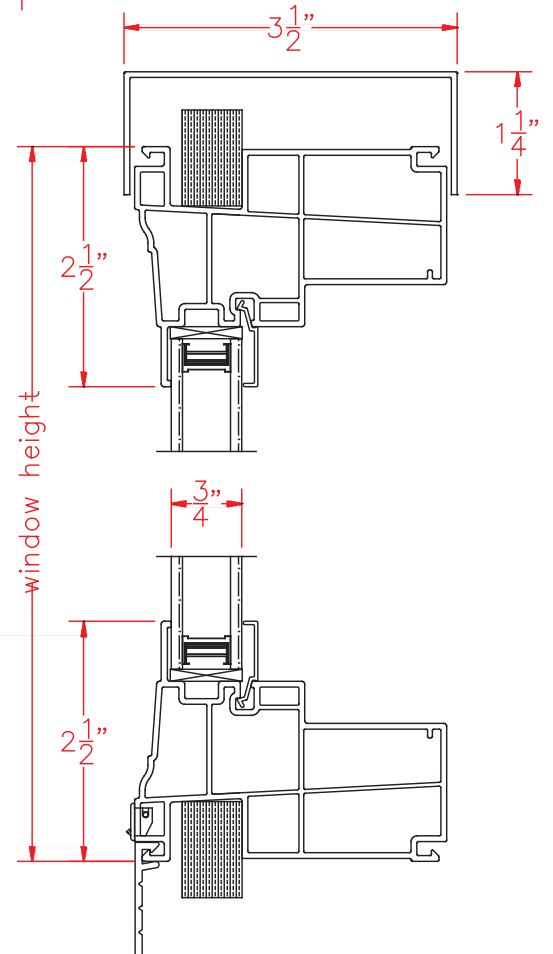
ADVANTEDGE FIXED

This document contains confidential and proprietary information intended for the private use of Quaker.
© 2016 Quaker Window Products Co., INC. All rights reserved.
Quaker reserves the right to change any/all designs without notice. Due to periodic re-certification requirements, result shown may vary.



① HORIZONTAL CROSS SECTION

Ⓐ VERTICAL CROSS SECTION



ELEVATION SCALE 3/4" = 1'-0"

Our products are tested to the standards of and certified by the American Architectural Manufacturer's Association, the National Fenestration Rating Council and the Window & Door Manufacturers Association.



QUAKER
COMMERCIAL WINDOWS AND DOORS



QUAKER
COMMERCIAL WINDOWS AND DOORS

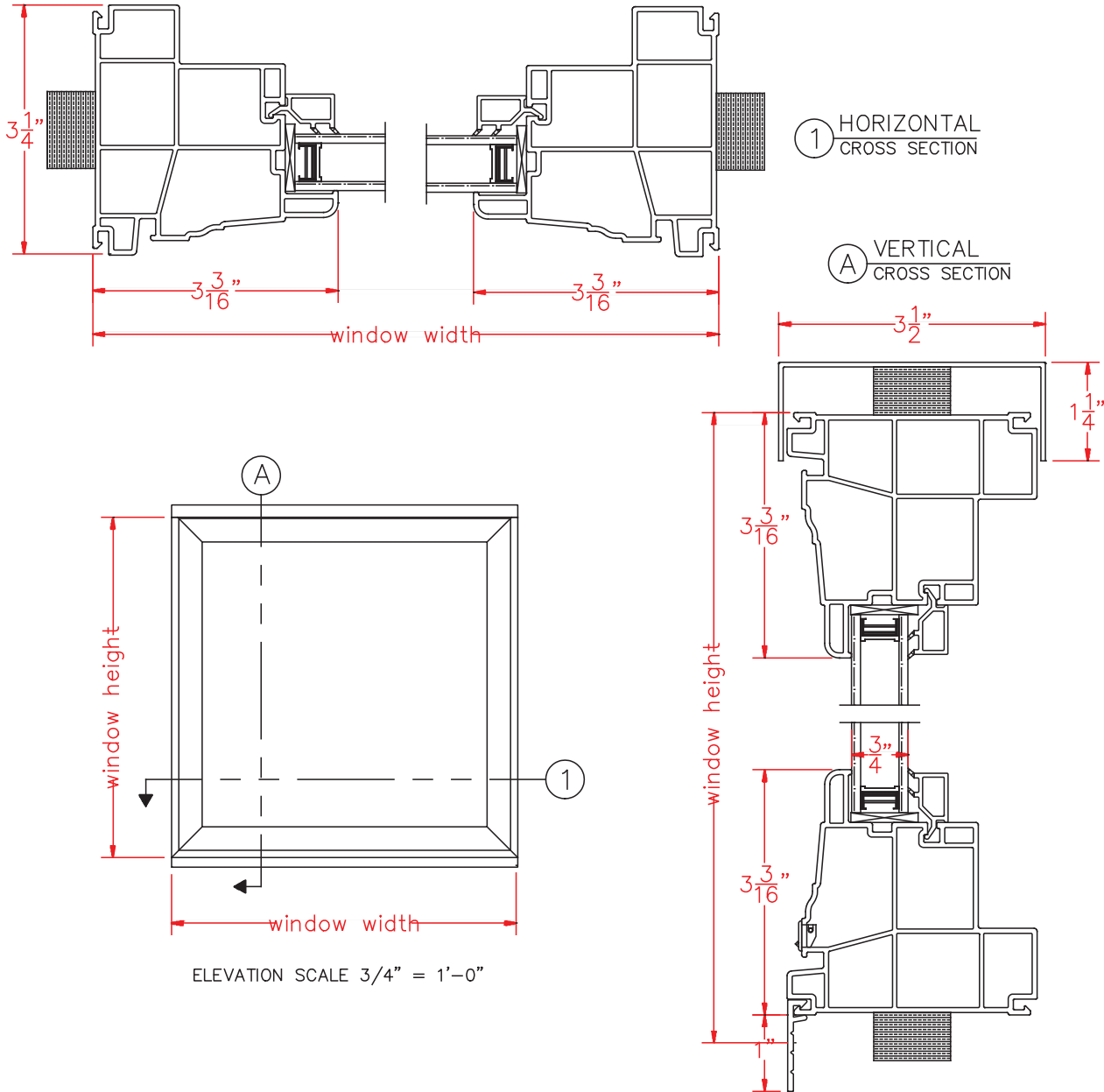


AdvantEDGE
Replacement Window Solutions by Quaker

AdvantEdge Series
R-35/R-40
3 1/4" Frame Depth
Picture Window (Fixed)

ADVANTEDGE CASEMENT DIRECT SET FIXED

This document contains confidential and proprietary information intended for the private use of Quaker.
© 2016 Quaker Window Products Co., INC. All rights reserved.
Quaker reserves the right to change any/all designs without notice. Due to periodic re-certification requirements, result shown may vary.



Our products are tested to the standards of and certified by the American Architectural Manufacturer's Association, the National Fenestration Rating Council and the Window & Door Manufacturers Association.



QUAKER
COMMERCIAL WINDOWS AND DOORS



QUAKER
COMMERCIAL WINDOWS AND DOORS



AdvantEDGE
Replacement Window Solutions by Quaker

AdvantEdge Series
R-35/R-40
3 1/4" Frame Depth
Picture Window (Fixed)

ADVANTEDGE NARROW DIRECT SET FIXED

This document contains confidential and proprietary information intended for the private use of Quaker.
© 2017 Quaker Window Products Co., INC. All rights reserved.
Quaker reserves the right to change any/all designs without notice. Due to periodic re-certification requirements, result shown may vary.

Our products are tested to the standards of and certified by the American Architectural Manufacturer's Association, the National Fenestration Rating Council and the Window & Door Manufacturers Association.



QUAKER
COMMERCIAL WINDOWS AND DOORS